

# HOSE CARTS



**RBRAUN** INC.  
St. Nazianz, WI

“ ALL YOU HAVE TO DO IS ASK! ”

Designed & Manufactured by R Braun Inc.



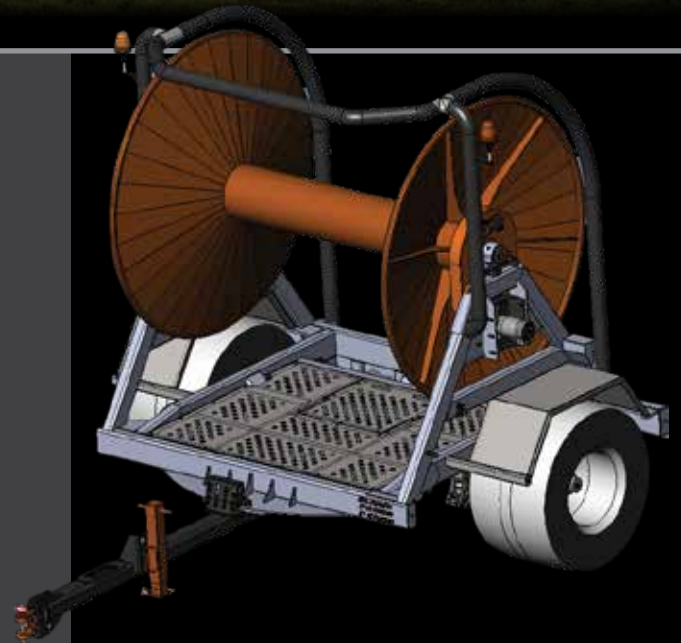
# TWISTER 8010

## ADVANTAGES

- Large Hydraulic Motors to Pull Stubborn/Muddy Hose
- Case Drain Ports to Extend Motor Life
- Articulating Hitch Pivoted Off The Main Frame
- Dual Beacon to Enhance Visibility for Oncoming Traffic
- Higher Ground Clearance
- Tapered End Domes

## FEATURES

- Single axle pivoting hitch hose reel
- 710-45R22.5 large flotation tires
- High torque/high speed driven motors
- Heavy duty double taper roller bearings
- 27,000 lb. axle with leaf-spring suspension
- LED road light package
- Dual LED work and beacon lights
- Large storage basket
- 13' transport width
- All hydraulically powered functions



**LIGHTING PACKAGE AVAILABLE FOR INCREASED VISIBILITY**





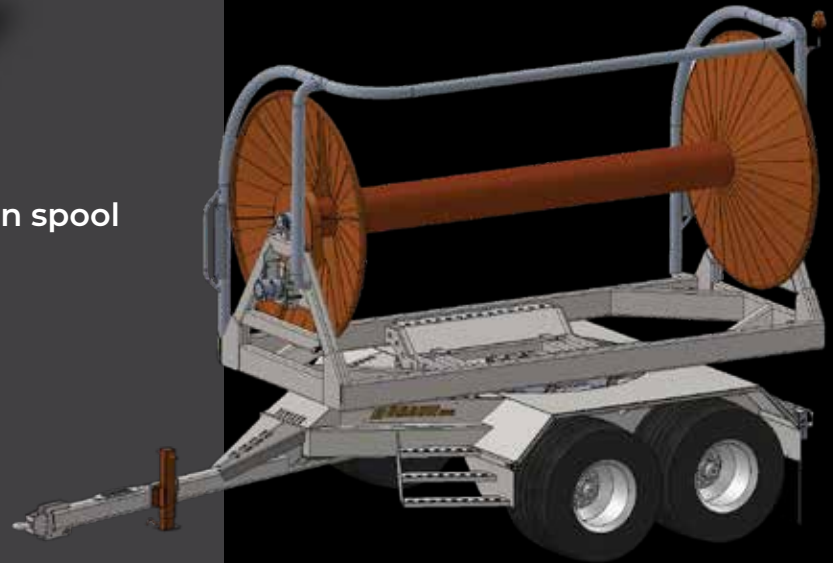
# TWISTER 1200

## ADVANTAGES

- Same great spool design allowing for 180 degrees of rotation and front roll capability
- NEW case drain valve block for superior motor protection
- NEW narrowed shipping width to 12'
- Enhanced transport visibility
- Rear fitting basket

## FEATURES

- 710-45-22.5 high flotation tires
- LED light package
- Strobe lights front back and flasher on spool
- High torque parker hydraulic motors with 2 speed option
- Heavy duty drum bearings
- Tapered end domes
- Optional: Hydraulic, Air Brake, or combo Package



## NEW SLEWING RING CENTER PIVOT BEARING





# TWISTER 3PT

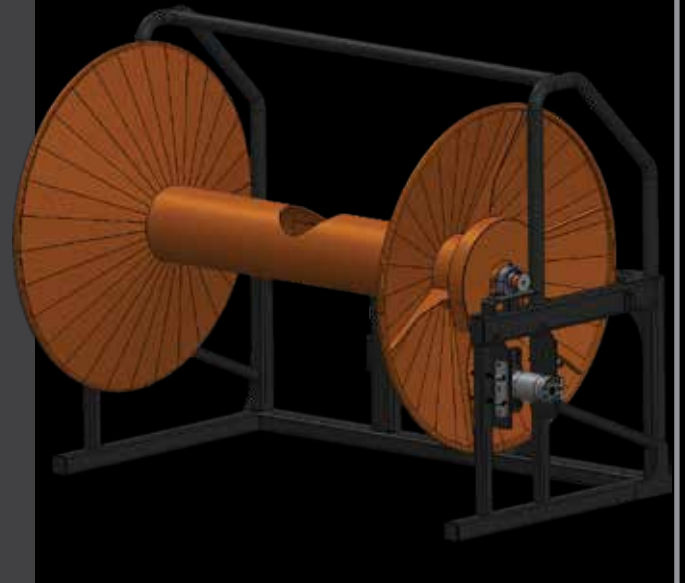
## ADVANTAGES

- Large capacity for 3 pt cart
- Ability to store a few extra lengths without adding larger reel
- Applicator can roll drags and reset
- Simple, robust design
- Low maintenance



## FEATURES

- HD frame with feet to rest on when unhooked
- Single hydraulic motor drive system
  - Same components as Twister 8010 & 1200
- Tapered spool end domes
- Cat 3/Cat 4 3-point hook ups
- 3" Bearings



Model	<b>TWISTER 8010</b>	<b>TWISTER 1200</b>	<b>TWISTER 3PT</b>
6" Capacity	16 Lengths (2 Miles)	32 Lengths (4 Miles)	8 Lengths (1 Mile)
8" Capacity	10 Lengths (1.25 Miles)	16 Lengths (2 Miles)	5 Lengths (5/8 Mile)
10" Capacity	6 Lengths (0.75 Miles)	10 Lengths (1.25 Miles)	3 Lengths (3/8 Mile)
12" Capacity	N/A	8 Lengths (1 Mile)	N/A